

FEATURES & SPECIFICATIONS

INTENDED USE — Square hinged pole with up to 39-foot mounting heights. Used where maintenance equipment access is restricted.

CONSTRUCTION — The pole shaft is fabricated from weldable-grade, hot-rolled, commercial-quality carbon steel having a guaranteed minimum yield strength of 55,000 psi and is supplied in 11-gauge (.1196") or 7-gauge (.1793") nominal thickness. The pole is of one-piece construction with a full length, longitudinal, high frequency, electric resistance weld. The shaft is square in cross section having flat sides, radiused corners, and a uniform taper of approximately 0.11 inches per foot of length except for 4" square poles, which are not tapered.

Note: Poles require a minimum of 50 lbs of weight at pole top (more if side mount fixture) for poles to lower to ground level. Consult factory.

The hinge includes a stainless steel hinge pin. A flexible wiring guide is provided, passing through the hinge area for wiring protection. The hinge is external.

Anchor base is fabricated from hot-rolled carbon steel plate that conforms with ASTM A36 to meet or exceed a minimum-yield strength of 36,000 psi. Base plate and shaft are circumferentially welded top and bottom. Full base cover is finished to match pole.

A rectangular, reinforced handhole rim having nominal dimensions of 3" x 5" for 4" shafts and oval shaped 4" x 6.5" for all other shafts. Included is a steel cover with attachment screws. Handhole is located 18" above the base.

Top cap provided with all drill-mount poles.

Fasteners are high-strength galvanized, zinc-plated or stainless steel.

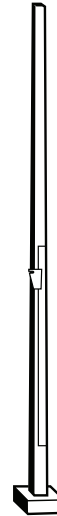
Must specify finish.

Grounding: Provision located inside handhole rim. Grounding hardware is not included (provided by others).

Anchor bolts: Top portion of anchor bolt is galvanized per ASTM A-153. Made of steel rod having a minimum yield strength of 55,000 psi.

NOTE: Specifications subject to change without notice.

Actual performance may differ as a result of end user environment and application.



Anchor Base Poles

STSH

SQUARE TAPERED STEEL HINGED

ORDERING INFORMATION

Lead times will vary depending on options selected. Consult with your sales representative.

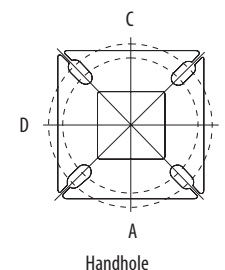
Example: STSH 30 6-4B DM19 DDB

Series	Nominal fixture mounting height	Nominal shaft base size/wall thickness	Mounting ^{1, 8}	Options	Finish ¹³
STSH	20 – 39 feet ¹² (See back page.)	(See back page.)	Tenon mounting⁹ PT Open top T20 2-3/8" O.D. (2" NPS) T25 2-7/8" O.D. (2-1/2" NPS) T30 3-1/2" O.D. (3" NPS) ² T35 4" O.D. (3-1/2" NPS) ² Drill mounting^{3, 8} DM19 1 at 90° DM28 2 at 180° DM28PL 2 at 180° with one side plugged DM29 2 at 90° DM39 3 at 90° DM49 4 at 90° CSX/DSX/AERIS™/OMERO™ Drill mounting^{3, 8} DM19AS 1 at 90° DM28AS 2 at 180° DM29AS 2 at 90° DM39AS 3 at 90° DM49AS 4 at 90° AERIS™ Suspend drill mounting^{3, 7, 8} DMxxAST_ OMERO™ Suspend drill mounting^{3, 7, 8} DMxxMRT_	Shipped installed L/AB Less anchor bolts VD Vibration damper TP Tamper proof H1-18Sxx Horizontal arm bracket (1 fixture) ^{4, 5} FDLxx Festoon outlet less electrical ⁴ CPL12xx 1/2" coupling ⁴ CPL34xx 3/4" coupling ⁴ CPL1xx 1" coupling ⁴ NPL12xx 1/2" threaded nipple ⁴ NPL34xx 3/4" threaded nipple ⁴ NPL1xx 1" threaded nipple ⁴ EHHxx Extra handhole ^{4, 6} MAEX Match existing ⁹ USPOM United States point of manufacture ¹⁰ IC Interior coating ¹¹	Standard colors DDB Dark bronze DWH White DBL Black DMB Medium bronze DNA Natural aluminum GALV Galvanized finish Classic colors DSS Sandstone DGC Charcoal gray DTG Tennis green DBR Bright red DSB Steel blue Architectural colors (powder finish)¹³

NOTES:

- When ordering tenon mounting and drill mounting for the same pole, follow this example: DM28/T20. The combination includes a required extra handhole.
- T30 and T35 tenons not available with 4" shafts.
- The drilling template to be used for a particular luminaire depends on the luminaire that is used. Refer to the Technical Data Section of the Outdoor Binder for Drilling Templates.
- Specify location and orientation when ordering option.
For 1st "x": Specify the height in feet above base of pole.
Example: 5ft = 5 and 20ft = 20
For 2nd "x": Specify orientation from handhole (A,B,C,D) - "A" side only if below hinge height
Refer to the Handhole Orientation diagram on this page.
- Horizontal arm is 18" x 2-3/8" O.D. tenon standard.
- Combination of tenon-top and drill mount includes extra handhole.
- Insert "1" or "2" to designate fixture size; e.g. DM19AST2.
- Poles require a minimum of 50 lbs of weight at pole top (more if side mount fixture) for poles to lower to ground level. Consult factory.
- Must add original order number
- Use when mill certifications are required.
- Provides enhanced corrosion resistance.
- Pole shaft length cannot be modified from those listed.
- Finish must be specified. Additional colors available; see www.lithonia.com/archcolors or Architectural Colors brochure (Form No. 794.3). Powder finish standard.

HANDHOLE ORIENTATION



IMPORTANT INSTALLATION NOTES:

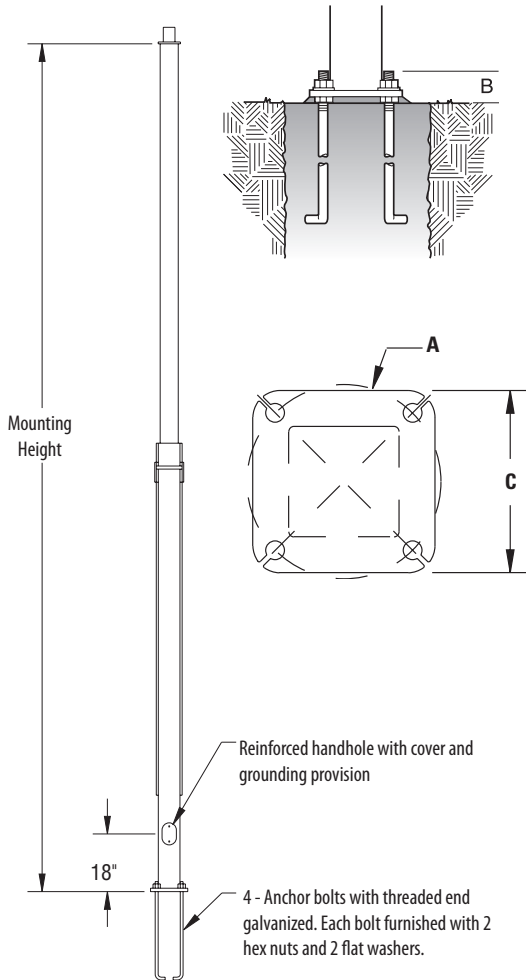
- Do not** erect poles without having fixtures installed.
- Poles require a minimum of 50 lbs of weight at pole top (more if side mount fixture) for poles to lower to ground level. Consult factory.
- Factory-supplied templates must be used when setting anchor bolts. Lithonia will not accept claim for incorrect anchorage placement due to failure to use Lithonia Lighting factory templates.
- If poles are stored outside, all protective wrapping must be removed immediately upon delivery to prevent finish damage.
- Lithonia is not responsible for the foundation design.

STSH Square Tapered Steel Hinged Poles

TECHNICAL INFORMATION

Catalog Number	Nominal shaft length (ft.)	Hinge point above base (ft.)	Pole shaft size (base in. x top in. x ft.)	Wall thickness (in.)	Gauge	EPA (ft ²) with 1.3 gust					Max. fixture weight (lbs.)	Bolt circle (in.)	Bolt size (in. x in. x in.)	Approx. ship weight (lbs.)
						80 mph	Max. fixture weight (lbs.)	90 mph	Max. fixture weight (lbs.)	100 mph				
STSH 20 4F	20	12	4 x 4 x 20	0.1793	7	11.6	217	8.5	217	6.2	217	8-1/2 - 10	3/4 x 18 x 3	300
STSH 25 4F	25	14.5	4 x 4 x 25	0.1793	7	7.1	160	4.8	160	3.1	160	8-1/2 - 10	3/4 x 18 x 3	370
STSH 25 6-4B	25	14.4	6.41 x 3.63 x 25	0.1196	11	18.0	254	13.0	254	9.3	254	12-1/2	1 x 36 x 4	355
STSH 30 4F	30	17	4 x 4 x 30	0.1793	7	4.0	120	2.1	120	0.8	120	8-1/2 - 10	3/4 x 18 x 3	435
STSH 30 6-4B	30	16.8	6.41 x 3.08 x 30	0.1196	11	12.5	230	8.3	230	5.1	230	12-1/2	1 x 36 x 4	440
STSH 35 7-1B	35	19.4	7.18 x 2.88 x 35	0.1196	11	7.1	160	3.2	160	--	--	13-1/2	1 x 36 x 4	540
STSH 35 7-1F	35	19.4	7.13 x 2.87 x 35	0.1793	7	22.0	155	16.9	155	12.1	155	13-1/2	1 x 36 x 4	700
STSH 39 7-1F	39	19.9	7.13 x 2.87 x 39	0.1793	7	19.5	110	13.5	110	9.2	110	13-1/2	1 x 36 x 4	740

POLE DETAIL



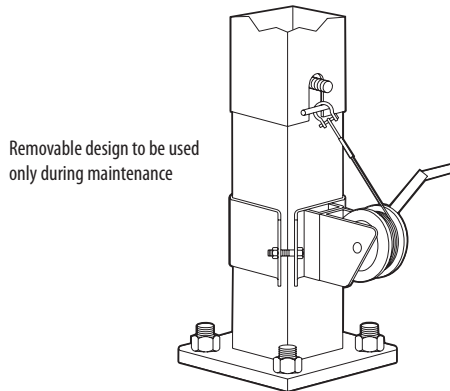
IMPORTANT:

• These specifications are intended for general purposes only. Lithonia reserves the right to change material or design, without prior notice, in a continuing effort to upgrade its products.

Pole Data

Shaft base size	Bolt circle A	Bolt projection B	Base square	Template description	Anchor bolt description
4.0"F	8-1/2"-10"	3-1/2" - 4-1/4"	9-3/4"	ABTEMPLATE PJ50091	AB18-0
6.4"B	12-1/2"	3-3/4" - 4-1/2"	11-7/8"	ABTEMPLATE PJ50092	AB36-0
7.1"B	13-1/2"	3-1/2" - 4-1/4"	12-5/8"	ABTEMPLATE PJ50094	AB36-0
7.1"B	13-1/2"	4" - 4-3/4"	12-5/8"	ABTEMPLATE PJ50093	AB36-0

WINCH DETAIL



WINCH ORDERING

Shaft size	Winch nomenclature
4F	STSHWCH 4F
6-4B	STSHWCH 6-4B
7-1B	STSHWCH 7-1B
7-1F	STSHWCH 7-1F

EXTERNAL HINGE DETAIL

