



nIO PC KIT



OUTDOOR PHOTOCELL INTERFACE KIT LOW VOLTAGE

SPECIFICATIONS

FEATURES

- Kit Provides both Outdoor Photocell & Specialized nIO Interface Device
- nIO Interfaces Outdoor Photocell Using Normally Low Input
- Sends Toggle Signal to Relays within Local Zone
- Initiates a Local or Remote Scene
- Communicates w/ nLight Network
- Remotely Configurable/Upgradeable
- Push-Button Programmable

PHYSICAL SPECS (nIO NLI 1S)

- SIZE 2.54" H x 1.98" W x 1.00" D (6.45 cm x 5.03 cm x 2.54 cm)
- WEIGHT 2 oz
- COLOR White
- NETWORK CONNECTION 2 RJ-45 Ports

PHYSICAL SPECS (PC)

- SIZE 3.50" H x 1.25" W x 0.25" D (8.89 cm x 3.18 cm x 0.64 cm)
- MOUNTING 1/2" KO in any approved weatherproof outdoor box
- WEIGHT 4 oz
- COLOR Gray

PHYSICAL SPECS (PS 150)

- SIZE (not including 1/2" chase nipple) 3.00" H x 2.25" W x 1.88" D (7.62 cm x 5.72 cm x 4.78 cm)
- WEIGHT 6 oz
- MOUNTING 1/2" KO
- COLOR Black

ELECTRICAL SPECS (PS 150)

- OPERATING VOLTAGE 120/277
- OUTPUT VOLTAGE CURRENT 15 VDC, 150mA
- WIRES 18 AWG (3) & 20 AWG (2)

ELEC. SPECS (nIO NLI 1S / PC)

- POWER REQUIREMENTS nIO NLI < 3 mA
- PC < 35 mA @ 12-28 VDC
- WIRES 20 AWG (3)

ENVIRONMENTAL SPECS (nIO NLI 1S / PS 150)

- OPERATING TEMP -40° to 160° F (-40° to 71° C)
- RELATIVE HUMIDITY 20 to 90% non-condensing
- SILICONE FREE
- ROHS COMPLIANT

ENVIRONMENTAL SPECS (PC)

- OPERATING TEMP -40° to 158° F (-40° to 70° C)

OTHER (nIO NLI 1S / PS 150)

- UL and CUL Listed
- 5 Year Warranty
- Assembled in the U.S.A.

OVERVIEW

The nLight nIO PC KIT provides an outdoor photocontrol solution for nLight networks. In addition to a weatherproof outdoor photocontrol that mounts to any 1/2" knockout, the nIO PC KIT includes an interface device with a normally low input. This device called a nIO NLI 1S, detects the state of the photocontrol and communicates it over the nLight network to a relay(s) controlling a lighting load. The nIO NLI 1S can also trigger local or remote control scenes to run when the photocontrol's state changes.

The nIO NLI 1S is daisy-chain wired into any zone of nLight devices (sensors, power packs, WallPods) using CAT-5 cabling. Power to the nIO NLI 1S device is provided by the CAT-5 connection to an nLight power pack/supply within its zone, or a Bridge. Power to the outdoor photocontrol is provided via Class 2 wires from the included PS 150 power supply or other low voltage source (for example the auxiliary power output on an nPANEL 4).

The nIO NLI 1S can trigger one of several modes when the connected outdoor photocontrol changes states:

- **WallPod Mode:** Turns relays on/off within its zone
- **Local Scene Mode:** Initiates a scene to run on its local zone
- **Remote Scene Mode:** Requests the Gateway to run a system profile on non-local devices or zones

Daylight Condition	PC Output	nIO NLI 1S Action	
		WallPod Mode	Scene Mode
Night Time	High	Exert On	Send Scene
Day Time	Low	Exert Off	Run Defaults

OUTDOOR PHOTOCONTROL*



*Outdoor Photocell (PC) is model number LCS-624D from Precision Multiple Controls Inc.

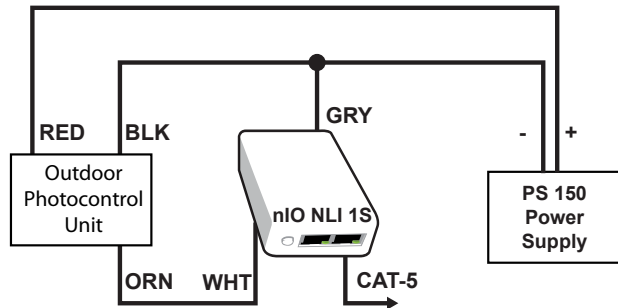
ORDERING INFO

Model Number: nIO PC KIT

TYPICAL WIRING

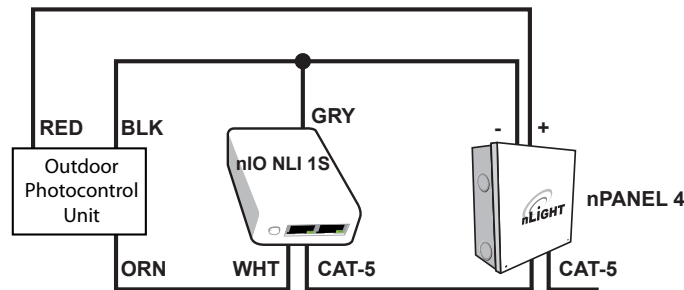
OPTION 1*

*Note, line connection to power supply not shown. Additional nLight devices are required to switch lighting load (e.g., nPP16).



OPTION 2*

*Note, line and load connections to nPANEL 4 not shown.



INSTALLATION

- Connect wires between outdoor photocontrol unit and device providing power (typically the included **PS 150**) according to diagrams above. Do not wire hot.
- Connect wires between outdoor photocontrol unit and **nIO NLI 1S** unit according to diagrams above.
- Interconnect **nIO NLI 1S** unit with other nLight devices in lighting zone using CAT-5 cables.
- Once power to the **nIO NLI 1S** is received via CAT-5 connection, the unit will begin functioning according to defaults (i.e., outdoor photocell's status will be broadcast to all relays on channel 1).

NOTES ON OUTDOOR PHOTOCONTROL OPERATION

- Be sure to position the controller so that the light sensitive "window" is turned in the direction of the greatest amount of natural light and away from the load. Artificial light may affect the operation of the controller during night conditions.
- A slide adjustment is provided to adjust the turn "on" / "off" light level. Covering the eye will cause the unit to turn "on" earlier.
- Controller has a 2-3 second time delay. Load will remain "on" when first energized. To test load: place a lightproof cover over window and allow a few seconds for controller to operate. If load blinks on and off check to ensure that load or other artificial light is facing away from controller eye. Adjust if necessary.
- Do not install control with wires facing up unless you are sure water cannot enter near wires.
- Do not install control directly below the lighting load it is controlling.

WARRANTY: Sensor Switch, Inc. warrants these products to be free of defects in manufacture and workmanship for a period of 60 months. Sensor Switch, Inc., upon prompt notice of such defect, will, at its option, provide a Returned Material Authorization number and repair or replace returned product.

LIMITATIONS AND EXCLUSIONS: This Warranty is in full lieu of all other representation and expressed and implied warranties (including the implied warranties of merchantability and fitness for use) and under no circumstances shall Sensor Switch, Inc. be liable for any incidental or consequential property damages or losses.