



WIDE VIEW SENSOR
CORNER MOUNT • LINE VOLTAGE • DUAL TECHNOLOGY (PDT)

SPECIFICATIONS

FEATURES

- 100% Digital PIR Detection, Excellent RF Immunity
- 120° by 40 ft (12.19 m) Coverage for Small Motion
- Patented Dual Technology with PIR/Microphonics™ Detection
- Single and 2-Pole Versions
- Interchangeable Hot & Load Wires - Impossible to Wire Backwards
- No Neutral Required / No Minimum Load
- Compatible w/ Electronic & Magnetic Ballasts, CFLs, & Incandescents
- Adjustable Time Delay
- Push-Button Programmable
- Non-Volatile Settings Memory
- Green LED Activity Indicator

PHYSICAL SPECS

- SIZE: 3.0" H x 3.6" W x 1.75" D (7.62 cm x 9.14 cm x 4.45 cm)
- WEIGHT: 7 oz
- MOUNTING: Single Gang Handy Box (add Wiremold Box # V5719 for Corner Mounting)
- MOUNTING HEIGHT: 7 to 8 ft
- COLOR: White

ELECTRICAL SPECS

- OPERATING VOLTAGE: 120/277, 347 VAC
- 13 Amps / Pole (347 VAC must be same phase)
- MOTOR LOAD: 1/4 HP
- FREQUENCY: 50/60 Hz

ENVIRONMENTAL SPECS

- OPERATING TEMP: 14° to 160° F (-10° to 71° C)
- RELATIVE HUMIDITY: 20 to 90% non-condensing
- SILICONE FREE
- ROHS COMPLIANT

OVERVIEW

The **WVR PDT 16** Series sensor mounts in a corner, provides line of sight PIR detection of small movements up to 40 ft away as well as Microphonics™ for detection around obstructions. These features make it ideal for retrofit applications like classrooms with inaccessible ceilings. **WVR PDT 16** sensors are powered by and directly switch line voltage, therefore no Power Packs are needed. Additionally, these sensors do not require a neutral, making wiring directly off local switches with wiremold a convenient option. Together, these features make them perfect for retrofit applications where running new wiring is difficult. A **WVR PDT 16** sensor is equipped with either one relay or an optional 2nd relay (2P), each with the ability to control up to 13 Amps.

SENSOR OPERATION

Sensors with Passive Dual Technology (PDT) first see motion using Passive Infrared (PIR) detection and then engage Microphonics™ to hear sounds that indicate continued occupancy. This patented technology uses automatic gain control (AGC) to dynamically self adapt a sensor to its environment by filtering out constant background noise and detecting only noises typical of human activity. When occupancy is detected, the relay switches the connected load on as dictated by the sensor's operational settings.

An internal timer keeps the lights on during brief periods of inactivity and turns the lights off when it expires. The default time delay is 10 minutes. This timer is programmable from 30 seconds to 20 minutes, and is reset every time occupancy is re-detected. Finally, as an added safety measure, a 10 second grace period allows the lights to be voice reactivated after initially shutting off. This state-of-the-art design requires no field calibration or sensitivity adjustments.

OPTIONS

347 VAC (347)

- Allows sensor to be powered from and switch 347 VAC

COLOR

- White, Ivory
- Must be specified when ordered

LOW TEMP/HIGH HUMIDITY (LT)

- Sensor electronics are coated for corrosion resistance
- Operates down to -4° F (-20° C)



TITLE 20/24 COMPLIANT
 ASSEMBLED in U.S.A.
 5 YEAR WARRANTY

ORDERING INFO

WVR PDT 16 [POLES] [VOLTAGE] [COLOR] [TEMP/HUMIDITY]

POLES

- Blank = 1 Pole
- 2P = 2 Pole

VOLTAGE

- Blank = None
- 347 = 347 VAC

COLOR

- WH = White
- IV = Ivory

TEMP/HUMIDITY

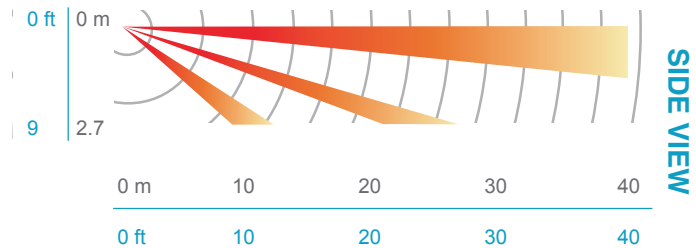
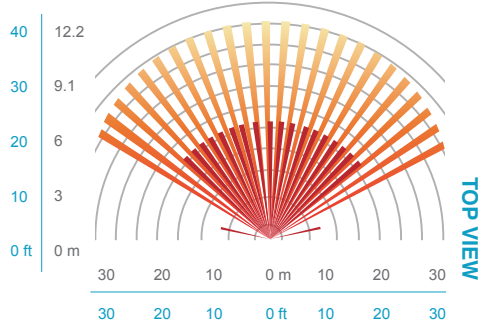
- Blank = Standard
- LT = Low Temp

*Note: 2P units with 347 VAC option must be of the same phase

COVERAGE PATTERN

WIDE VIEW LENS WITH MICROPHONICS™

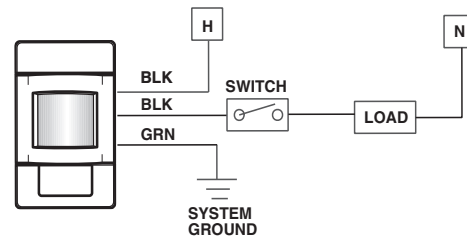
- Small motion (e.g. **hand movements**) detection up to 40 ft (12.19 m).
- Large motion (e.g. **walking**) detection up to 70 ft (21.34 m).
- Designed for 8 to 10 ft (2.44 to 3.05 m) high mounting in room corner.
- Microphonics™ provides overlapping detection of human activity over the complete PIR coverage area. Advanced filtering is also utilized to prevent non-occupant noises from keeping the lights on.



WIRING (DO NOT WIRE HOT)

STANDARD WIRING

- BLACK* - Line Input 1
 - BLACK* - Load Output 1
 - BLUE* - Line Input 2
 - BLUE* - Load Output 2
 - GREEN - Ground
- *BLACK wires can be reversed
*BLUE wires can be reversed



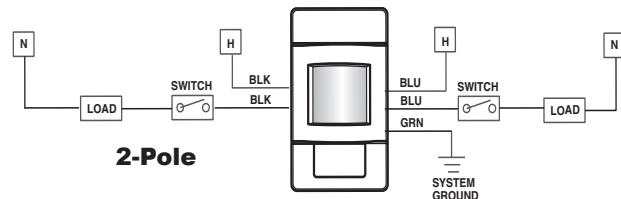
347 VAC OPTION (347)

Black wires are replaced w/ Red wires

PROGRAMMING

Pull up the top of the **WVR PDT 16** to expose the programming button*. Use the enclosed tool to program. Refer to Instruction Card IC16.001 for default settings and directions on programming the sensor via the button

*Programming Button

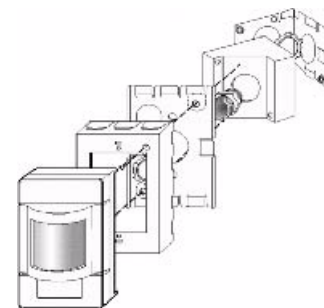


INSTALLATION

The **WVR PDT 16** mounts in the corner of a room above the door. A Wiremold switch extension box is placed on the switch, and a Wiremold raceway runs up the side of the door and over to the corner. A Wiremold corner box (V5719), with a field drilled hole, mounts to a single gang switch box to which the WVR-PDT is mounted. This positioning scheme, with the sensor mounted typically at 7 to 8 ft high, allows the sensor a full view of the room. The existing switch will now provide Auto and Off operation, and the lights can be manually turned "Off". If the room has only one door, then the **WVR PDT 16** is mounted 7 to 8 ft up the wall above the switch, with the raceway running up alongside the door. With two doors, the sensor should be corner mounted to detect occupants entering either door.

CORNER MOUNTING

- Sensor mounts to Wire mold #V5741
- Use 1/2" Nipple with Lock Nuts
- Drill 7/8" Hole in Corner Box (Wiremold #V5719)



An Acuity Brands Company

WARRANTY: Sensor Switch warrants these products to be free of defects in manufacture and workmanship for a period of 60 months. Sensor Switch, upon prompt notice of such defect, will, at its option, provide a Returned Material Authorization number and repair or replace returned product.

LIMITATIONS AND EXCLUSIONS: This Warranty is in full lieu of all other representation and expressed and implied warranties (including the implied warranties of merchantability and fitness for use) and under no circumstances shall Sensor Switch be liable for any incidental or consequential property damages or losses.

TS-WVR-002A